

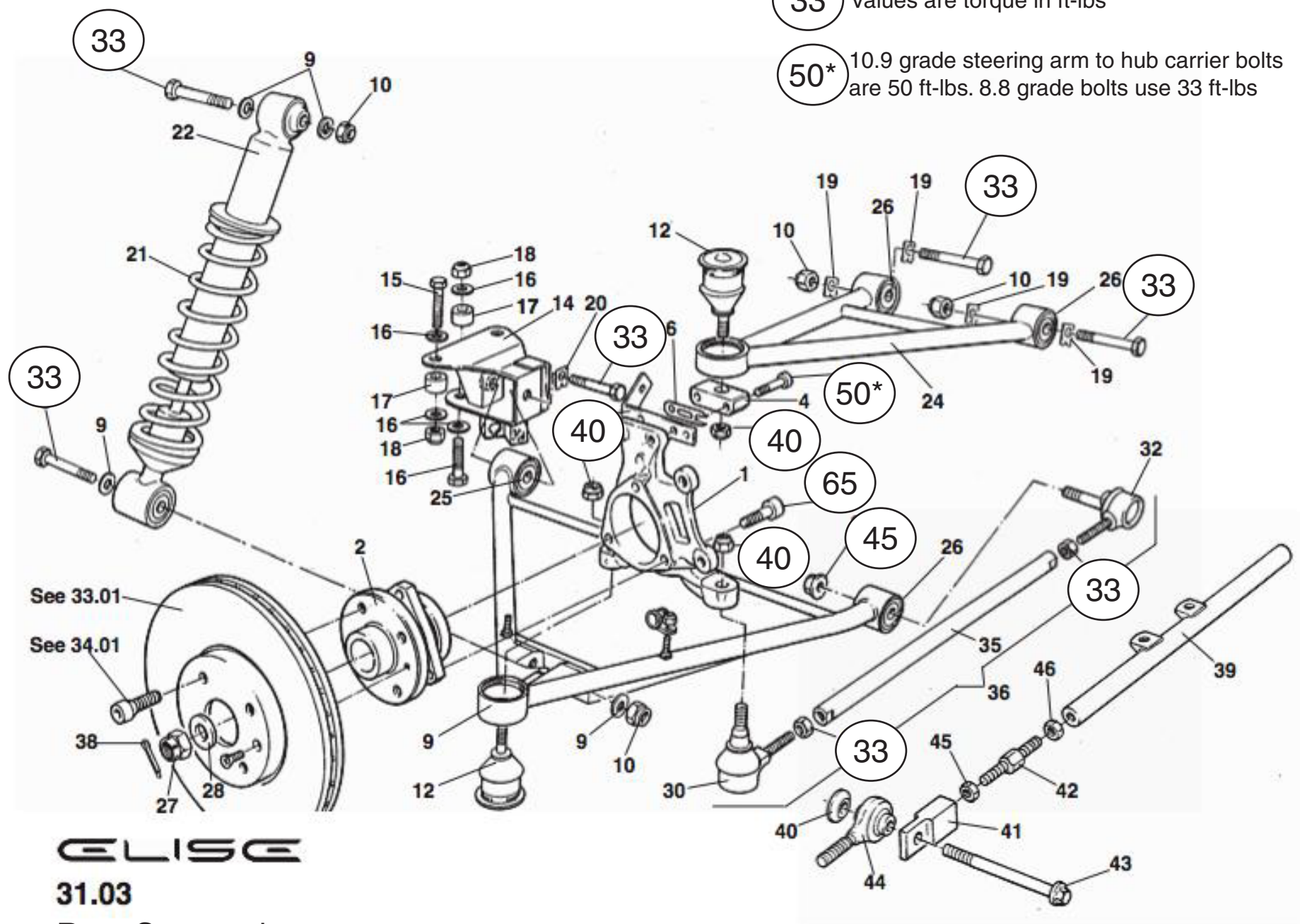
**ELISE**  
**31.01**  
**Front Suspension**

**33** Values are torque in ft-lbs

**50\*** 10.9 grade steering arm to hub carrier bolts are 50 ft-lbs. 8.8 grade bolts use 33 ft-lbs

33 Values are torque in ft-lbs

50\* 10.9 grade steering arm to hub carrier bolts are 50 ft-lbs. 8.8 grade bolts use 33 ft-lbs



**ELISE**

**31.03**

Rear Suspension